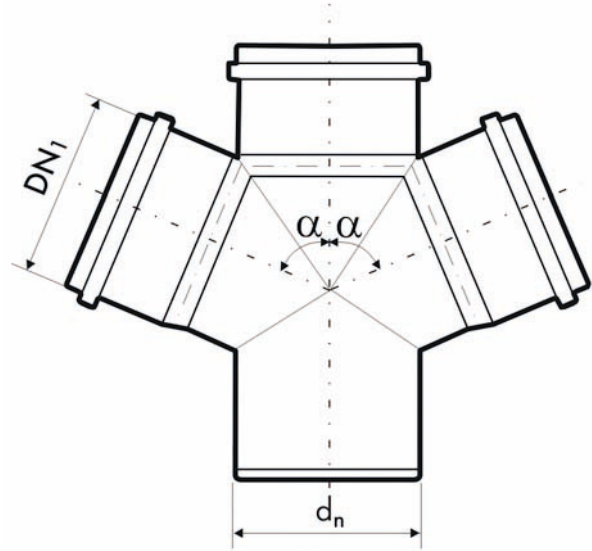


Double branch



Reference	Q	DN 1	l3	d'll	Subcategory	Diameters
VCRZ-050-050-090	5	50	87,5°	50	Branches	50, 90, 110, 160
VCRZ-090-090-090	20	90	87,5°	90	Branches	50, 90, 110, 160
VCRZ-110-050-090	5	110	87,5°	50	Branches	50, 90, 110, 160
VCRZ-160-110-090	1	160	87,5°	110	Branches	50, 90, 110, 160
VCR-110-050-045	5	110	45°	50	Branches	50, 90, 110, 160
VCR-110-110-045	4	110	45°	110	Branches	50, 90, 110, 160
VCRZ-050-050-067	5	50	67,5°	50	Branches	50, 90, 110, 160
VCRZ-090-090-067	20	90	67,5°	90	Branches	50, 90, 110, 160
VCRZ-110-050-067	5	110	67,5°	50	Branches	50, 90, 110, 160
VCRZ-110-110-067	4	110	67,5°	110	Branches	50, 90, 110, 160
VCRZ-110-110-090	4	110	87,5°	110	Branches	50, 90, 110, 160