

Roof outlet Akasion XL90 PVC

Roof outlet with PVC clamp flange acc. to EN 1253 for siphonic roof drainage systems. Suitable for homogeneous securing/sealing of PVC roof sealing membrane.

Delivery includes:

Akasion leaf guard set Code 749053

- Akasion air baffle with integrated leaf guard (UV-stabilized).
- Bolts.

Akasion XL90 roof outlet PVC Code 749044

- Roof outlet with PVC clamp flange for connection with PVC roof sealing membrane.
- Connection to HDPE.

Application: Cold roof/warm roof.

Insulation thickness: between 60 and 300 mm.

Connection to HDPE: Electrofusion coupler d90 mm Code 410995.

Dimensions: $d_{1<>}$ = 90 mm.

H = 55 mm.

S = 455 mm.

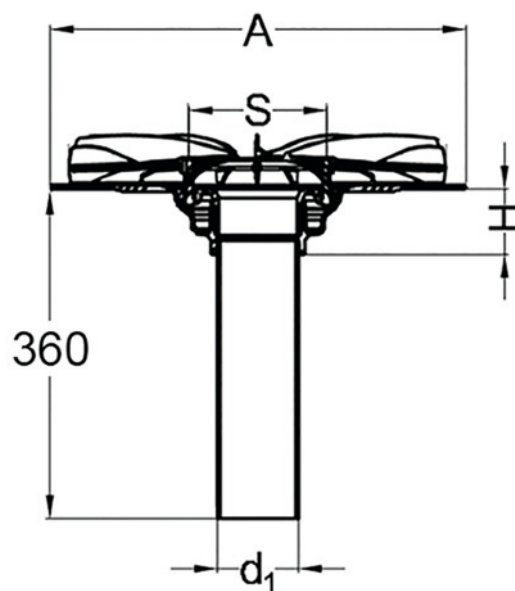
A = 180 mm.

Drilling core size: \varnothing ? 100 mm.

140 mm in combination with installation socket Code 749201.

Performance: 1-29,0 l/s.

Material: ASA, PVC, HDPE.



| Reference | d1 | Type | description |
|-----------|----|------------------|-------------|
| 74 90 04 | 90 | Akasion XL90 PVC | PVC |