

ASA MULTI

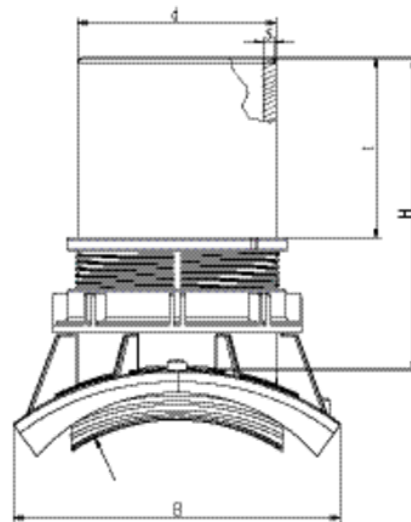
Connecting spigot to clay and concrete pipes

Connecting spigot to clay and concrete pipes ASA MULTI

- For the connection of fused, root-proof HD-PE connection pipes to clay or concrete pipes
- For reinstatement as well as refurbishment without separation or complete opening of the main trench
- When using SDR 17/17,6 pipes, the outlet connection d 160 offers a passage with the same sole
- Bright inner surface of the spigot for optimum visibility when driving through the camera
- Can be fused with FRIAFIT coupler AM or FRIAFIT bends ABM/ABMS

Note:

For installation, the ASA MULTI MS assembly key (Order No. 682660) will be required.



PE 100

Maximum permissible test pressure 0.5 bar to DIN EN 1610

	Reference	d	B	H	s	t	Weight kg	BX	PU
1	682650	160	265	250	9,5	146	2,700	5	40
2	682651	160	265	250	9,5	146	2,800	5	40
3	682651	160	265	250	9,5	146	2,800	5	40

¹ Suitable for connection to clay pipes DN 250 N/H (standard and high load series EN 295)

² Suitable for connection to clay pipes DN 300 / DN 350 N/H (standard and high load series EN 295)

³ Suitable for connection to concrete pipes DN 250 / DN 300 (EN 1916)

ASA MULTI

Connecting spigot to clay and concrete pipes

Sewage pipe systems are high-value assets of a value which should be maintained for a long time. Increasing demands on the connecting pipes require materials which meet these criteria. HD-PE sewage pipes have been fused for many years with the FRIAFIT HD-PE sewage system tightly, friction-locked and root-proof.

Area of application

The FRIAFIT connecting spigot ASA-MULTI is used to connect fused HD-PE house service lines or side branches to clay or concrete pipes. The FRIAFIT connecting spigot ASA-MULTI facilitates an economic connection for new pipes as well as refurbishment – without separating or completely exposing the main sewer. FRIAFIT connecting spigot ASA-MULTI: Space-saving assembly – easy processing – short assembly time.

Notes on processing

Tapping of the clay or concrete pipe is made with common core drills – core bit with standardised drilling diameter $d = 172$ mm. The FRIAFIT connecting spigot ASA-MULTI is assembled by mechanical clamping with elastomer seal. The spigot is directly fused with the connecting pipe using a FRIAFIT coupler AM or a FRIAFIT bend ABM: Leak-proof, friction-locked and root-proof (see also "Assembly instructions for the FRIAFIT sewage system").

Good reasons for the FRIAFIT connecting spigot ASA-MULTI

Direct transition from main sewer made of concrete/clay to fused HD-PE connecting pipe:

Leak-proof, friction-locked, root-proof

Safe and quick installation thanks to easy handling

Elastomer seal is only required for the interface main sewer/connection

Economic production of house service connections and road drains for new buildings and refurbishment

Little space required thanks to compact design

Use of common core bits

Large tolerance range for core drilling

No penetration of the connecting pipes into the main sewer

Level when using SDR 17/17.6 connecting pipes, no drain obstructions

The type with bright coat facilitates an optimal view during camera inspection.